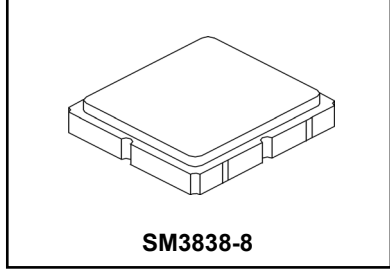


**RF3607D**

**403.5 MHz  
SAW Filter**



- **402.0 to 407.3 MHz Filter**
- **Optimized for use with the TRC105 Transceiver**
- **Balanced 150 ohm IC Interface**
- **Complies with Directive 2002/95/EC (RoHS)**
- **Moisture Sensitivity Level: 1**

**Absolute Maximum Ratings**

Rating	Value	Units
Input Power Level	+15	dBm
DC Voltage	±5	V
Operating Temperature Range	-40 to +85	°C
Storage Temperature Range in Tape and Reel	-40 to +85	°C

**Electrical Characteristics**

Characteristic	Sym	Notes	Min	Typ	Max	Units	
Center Frequency	$f_c$			403.5		MHz	
1 dB Bandwidth	$BW_1$			18		MHz	
Maximum Insertion Loss, 402.0 to 407.3 MHz	$IL_{MAX}$			1.7	2.0	dB	
Amplitude Ripple, p-p, 402.0 to 407.3 MHz				0.6			
Rejection Referenced to Insertion Loss at 403.5 MHz:							
DC to 383.5 MHz			40	43			
483.5 to 450.5 MHz			30	33			
450.5 to 850.5 MHz			47	50			
850.5 to 1350.5 MHz			32	35			
1350.5 to 2000 MHz			21	24			
Source Impedance	$Z_S$			50		$\Omega$	
Balanced Load Impedance	$Z_L$			150		$\Omega$	

Case Style	SM3838-8 3.8 x 3.8 mm Nominal Footprint					
Lid Symbolization (Y=year, WW=week, S=shift) dot=pin 1 indicator	890, <u>YWWS</u>					
Standard Reel Quantity	Reel Size 7 Inch					500 Pieces/Reel
	Reel Size 13 Inch					3000 Pieces/Reel

**Electrical Connections**

Connection	Terminals
Single-ended Port	6
Balanced Port	1, 3
Case Ground	4, 5, 7, 8
No Connection	2

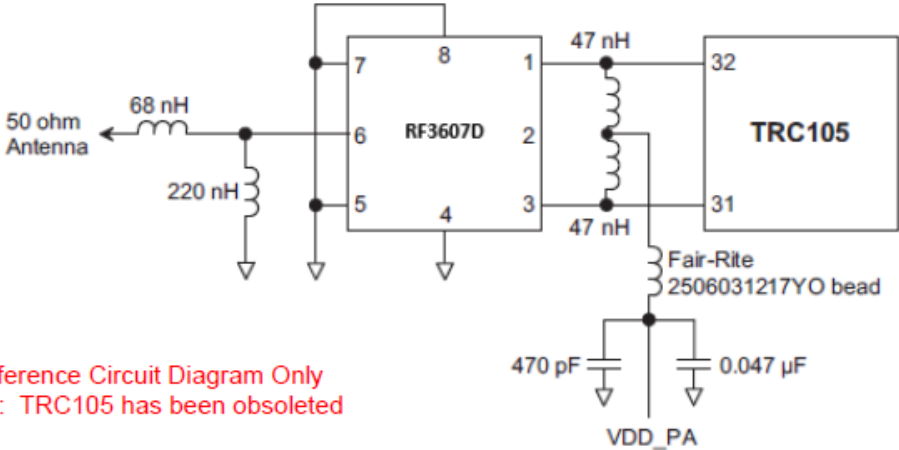


**CAUTION: Electrostatic Sensitive Device. Observe precautions for handling.**

**NOTES:**

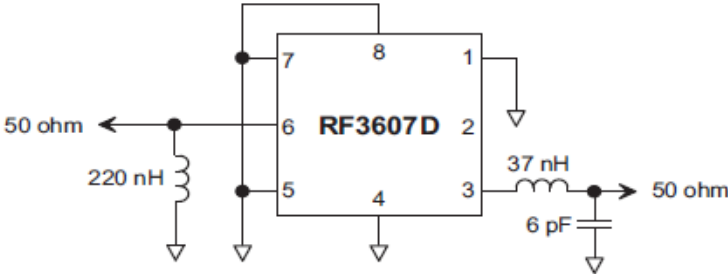
1. The design, manufacturing process, and specifications of this device are subject to change.
2. US or International patents may apply.
3. RoHS compliant from the first date of manufacture.

**RF3607D – TRC105 Application Circuit**

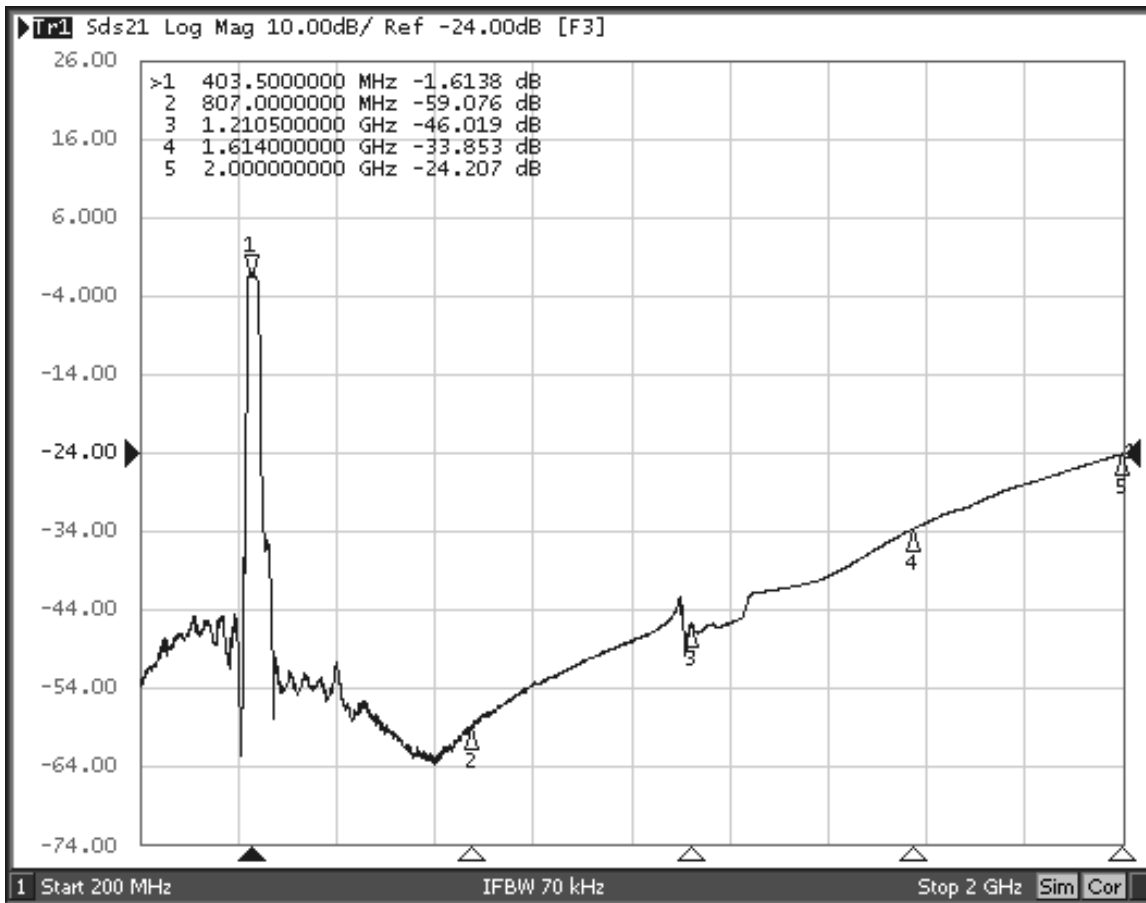


Reference Circuit Diagram Only  
 Note: TRC105 has been obsoleted

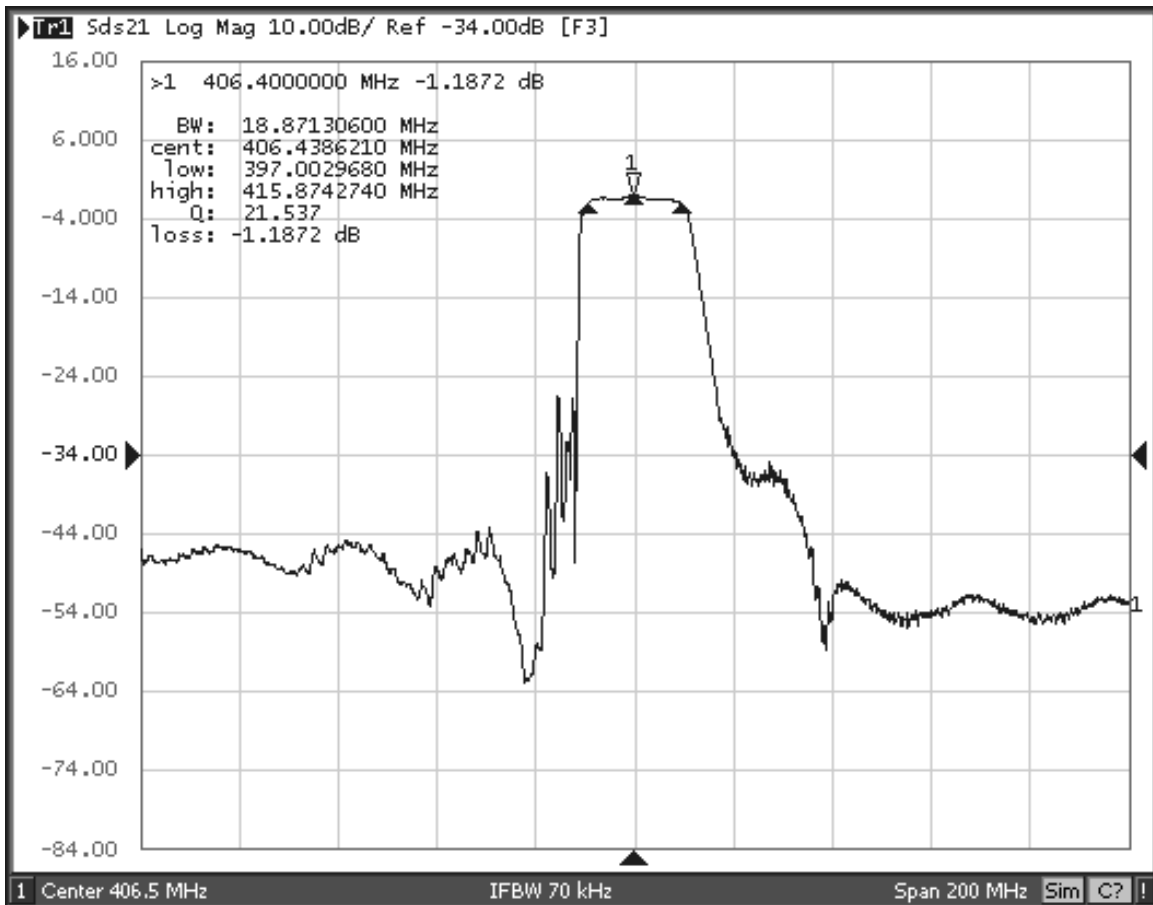
**RF3607D 50 Ohm Tuning Network**



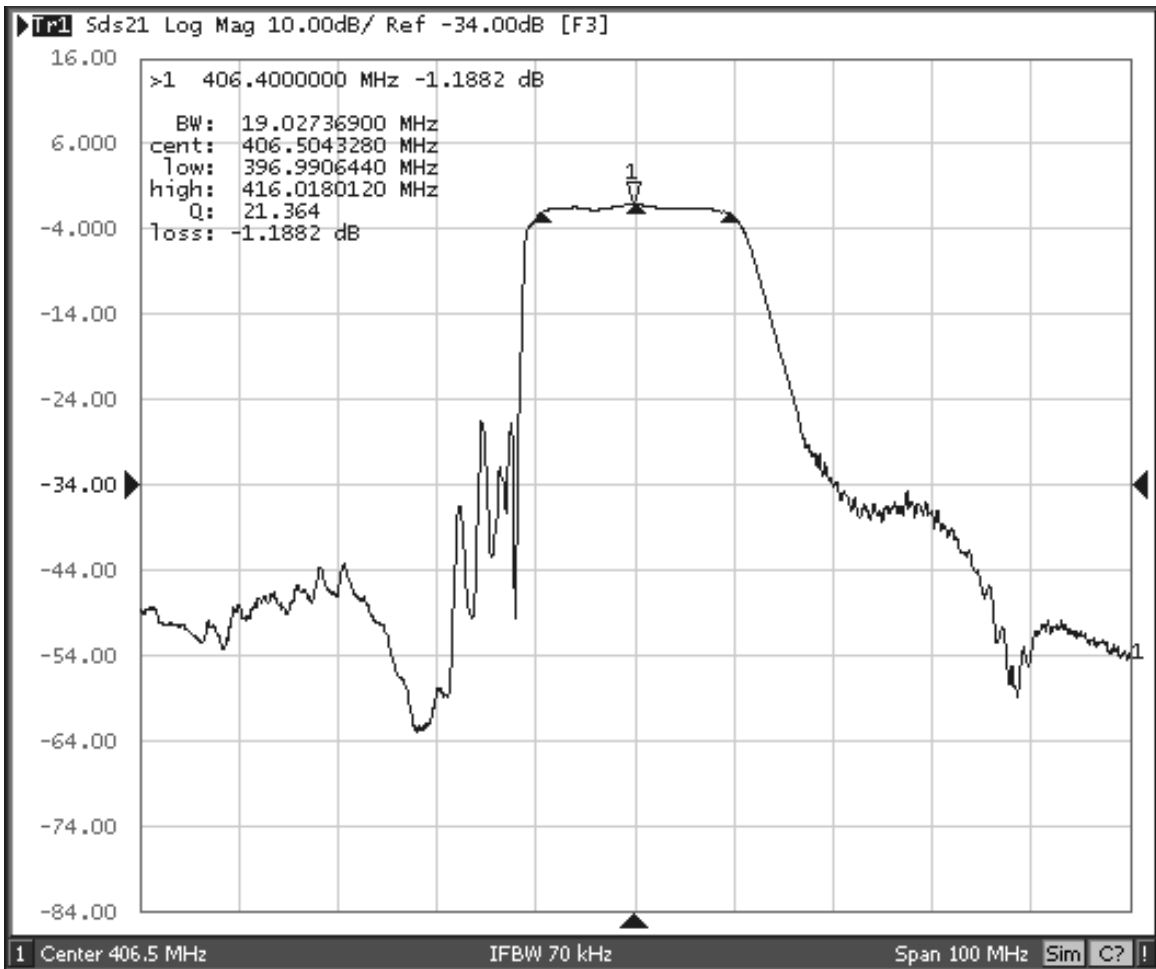
# RF3607D Broadband Response, 200 to 2000 MHz



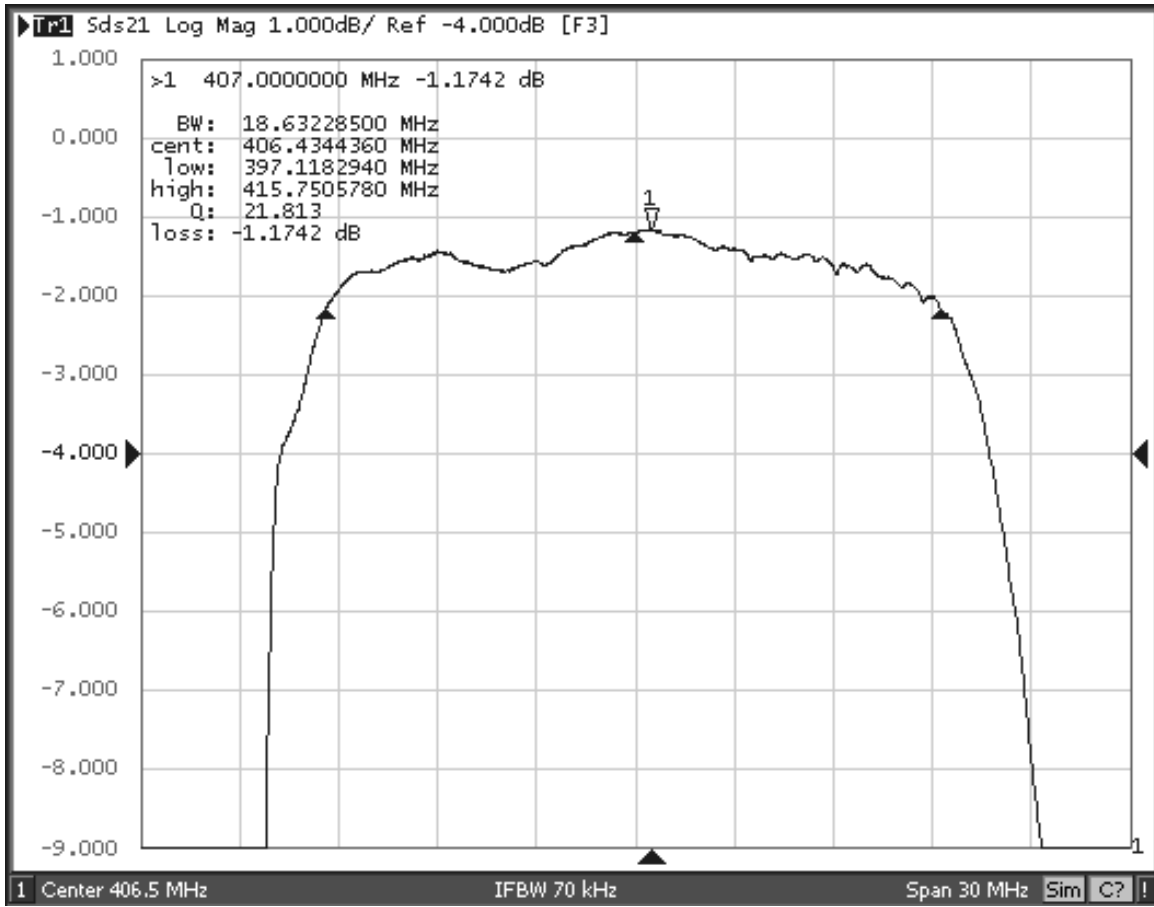
# RF3607D Response, 306.5 to 506.5 MHz



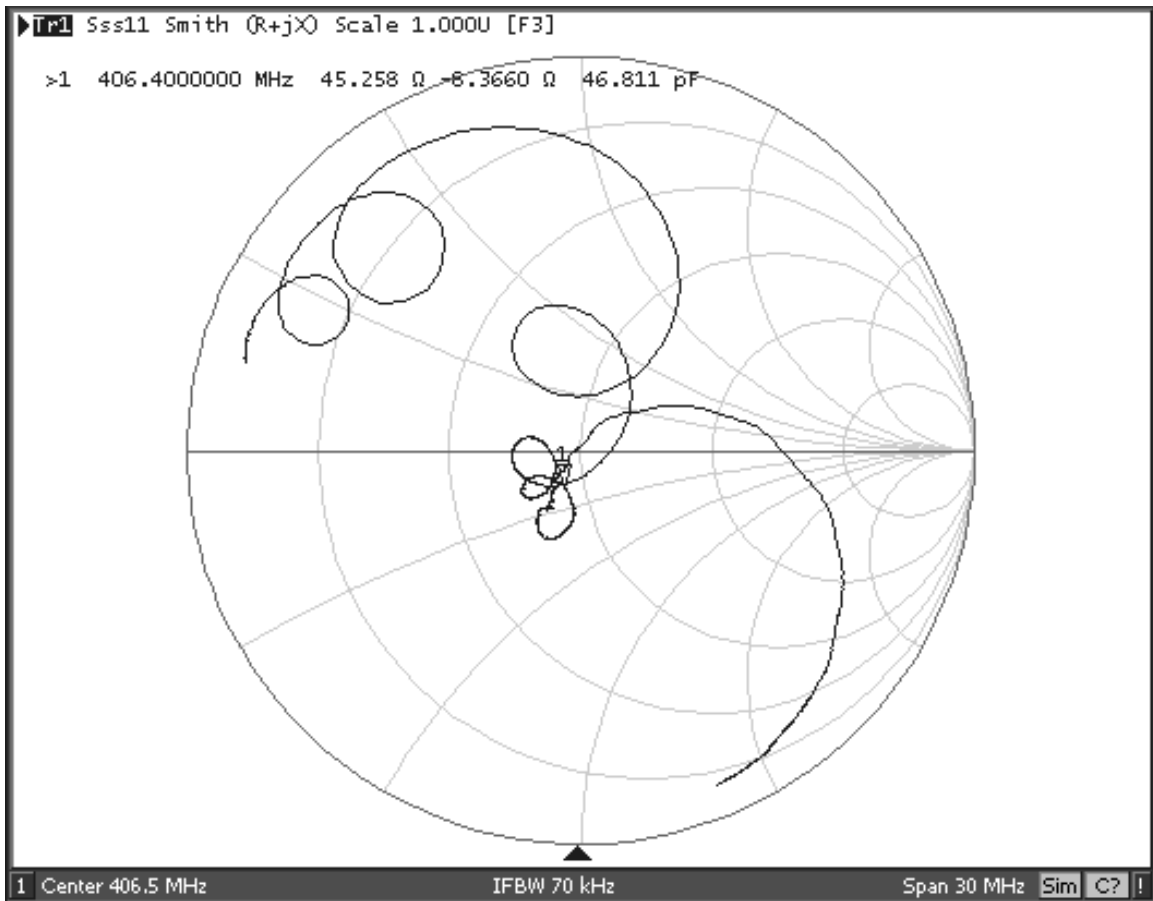
# RF3607D Response, 356.5 to 456.5 MHz



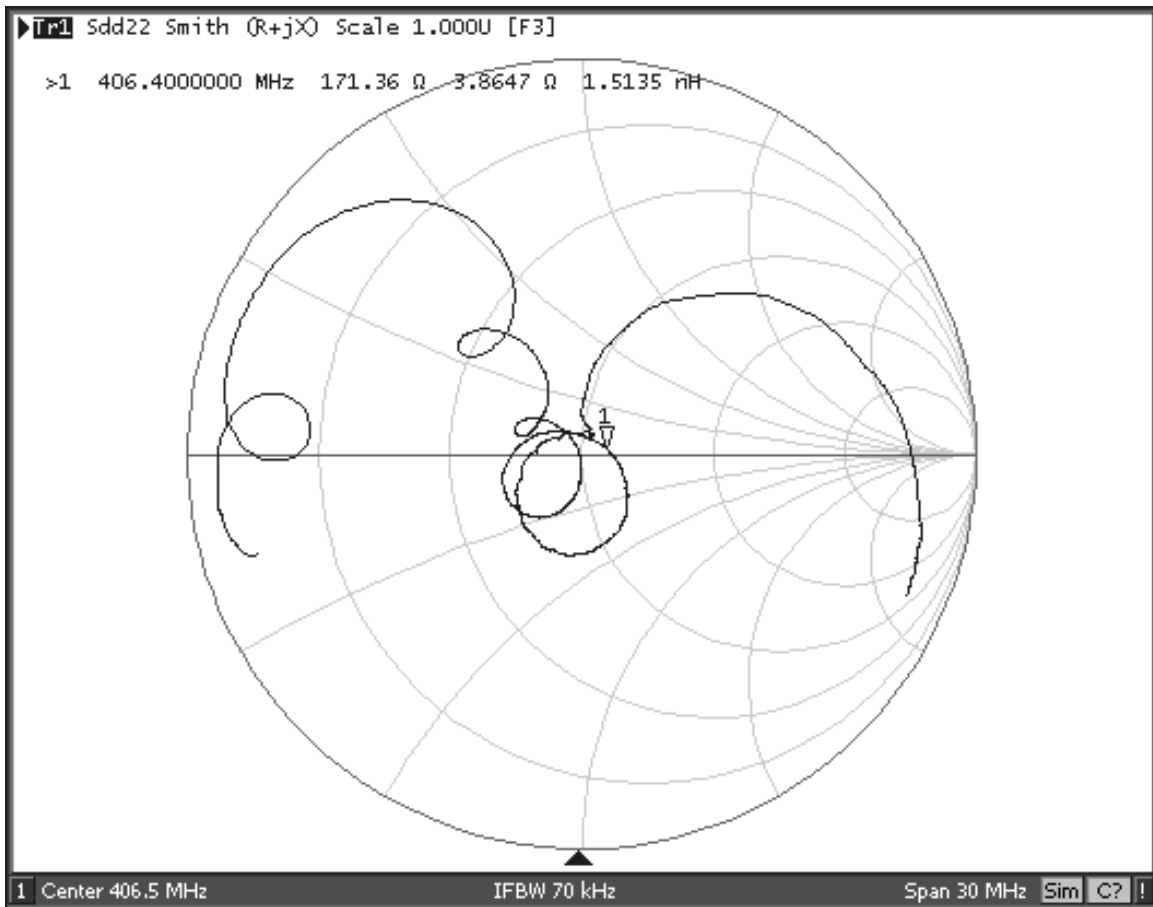
# RF3607D Passband Response



## RF3607D Input Impedance Plot

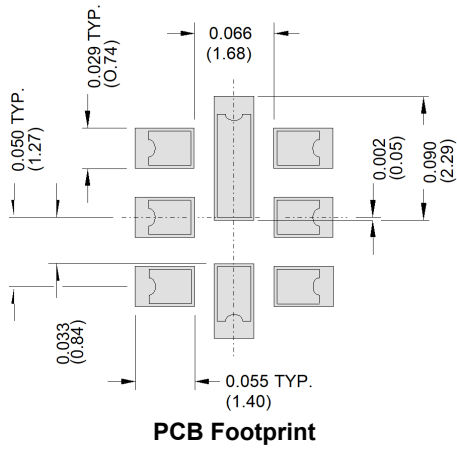


## RF3607D Balanced Output Impedance Plot



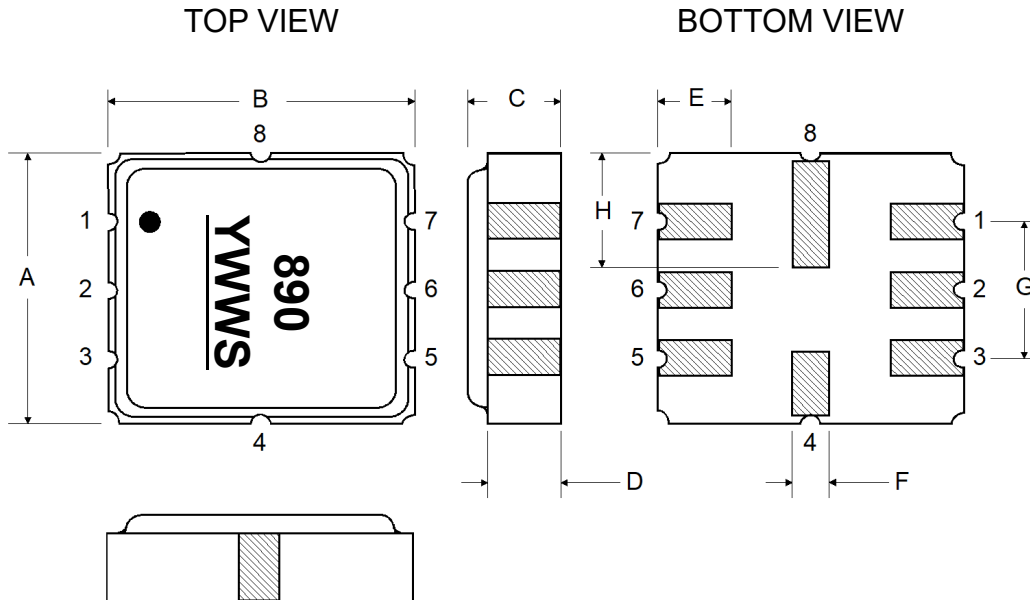


## 8-Terminal Ceramic Surface-Mount Case 3.8 X 3.8 mm Nominal Footprint



Case Dimensions						
Dimension	mm			Inches		
	Min	Nom	Max	Min	Nom	Max
<b>A</b>	3.6	3.8	4.0	0.142	0.150	0.157
<b>B</b>	3.6	3.8	4.0	0.142	0.150	0.157
<b>C</b>	0.90	1.00	1.1	0.035	0.040	0.043
<b>D</b>	0.80	0.90	1.0	0.031	0.035	0.040
<b>E</b>	0.90	1.00	1.10	0.035	0.040	0.043
<b>F</b>	0.50	0.60	0.70	0.020	0.024	0.028
<b>G</b>	2.39	2.54	2.69	0.090	0.100	0.110
<b>H</b>	1.40	1.75	2.05	0.055	0.069	0.080

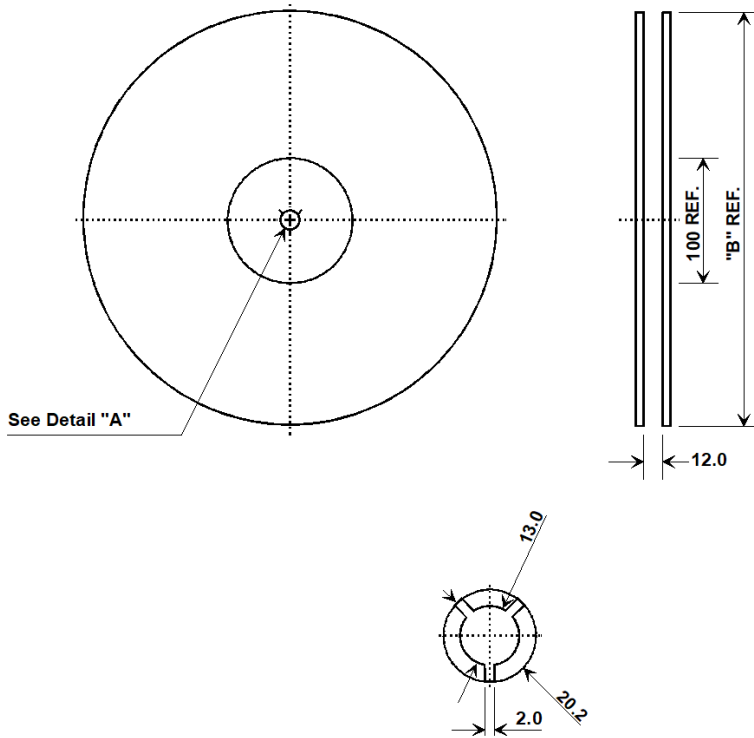
Materials	
Solder Pad Plating	0.3 to 1.0 $\mu$ m Gold over 1.27 to 8.89 $\mu$ m Nickel
Lid Plating	2.0 to 3.0 $\mu$ m Nickel
Body	Al <sub>2</sub> O <sub>3</sub> Ceramic



## Tape and Reel Specifications

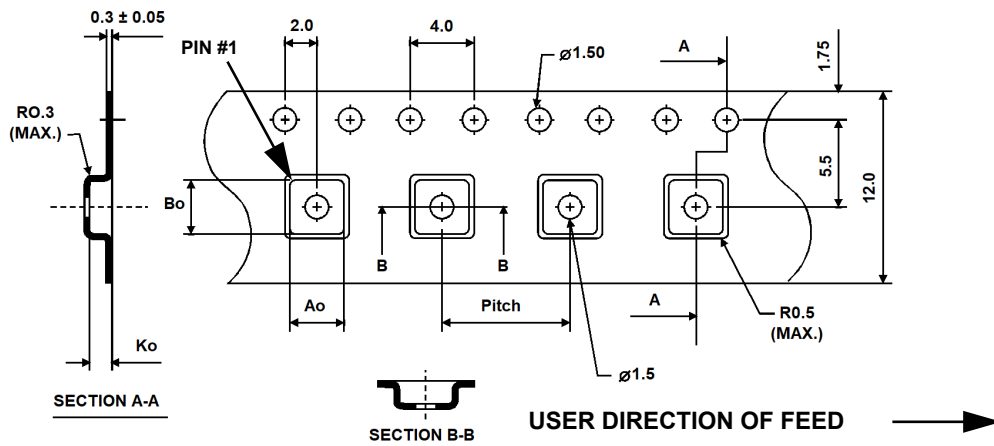
Tape and Reel Standard per ANSI/EIA-481

"B" Nominal Size		Quantity Per Reel
Inches	millimeters	
7	178	500
13	330	3000



### COMPONENT ORIENTATION and DIMENSIONS

Carrier Tape Dimensions	
Ao	4.25 mm
Bo	4.25 mm
Ko	1.30 mm
Pitch	8.0 mm
W	12.0 mm



## Recommended Reflow Profile

1. Preheating shall be fixed at 150~180°C for 60~90 seconds.
2. Ascending time to preheating temperature 150°C shall be 30 seconds min.
3. Heating shall be fixed at 220°C for 50~80 seconds and at 260°C +0/-5°C peak (10 seconds).
4. Time: 5 times maximum.

