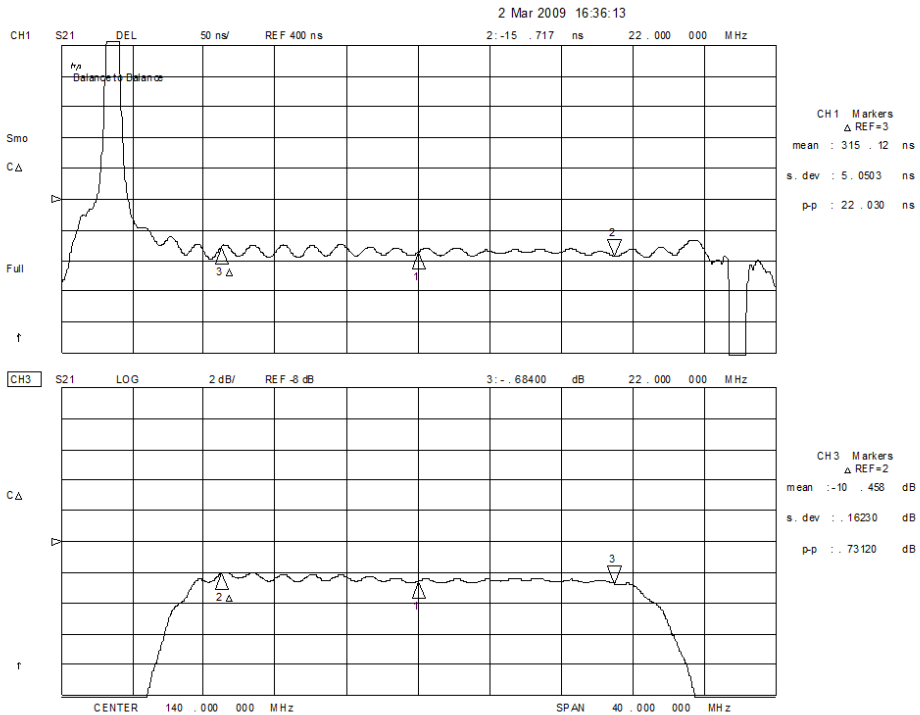
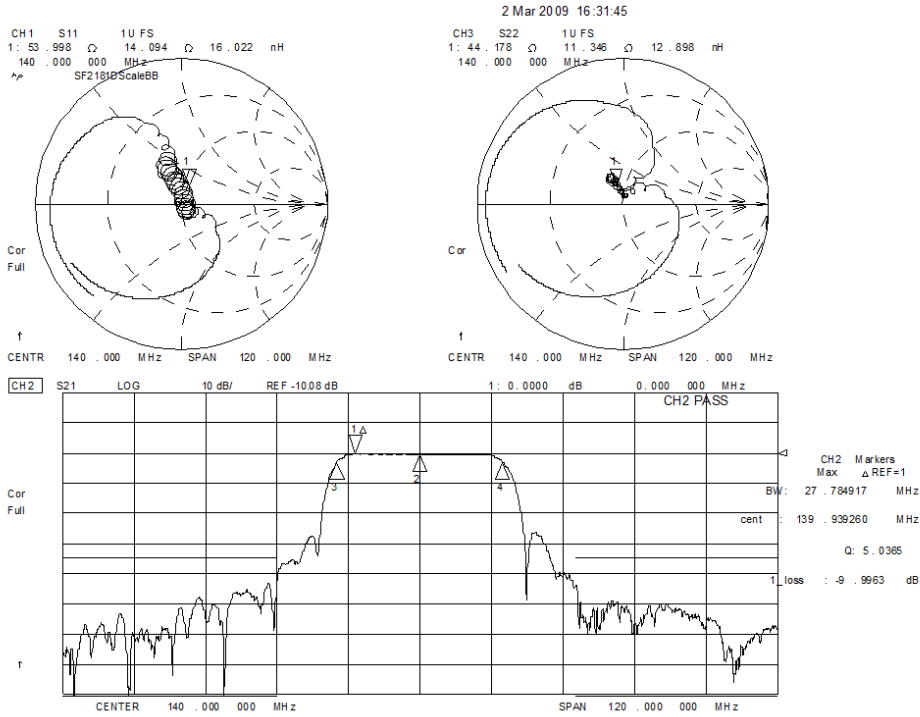
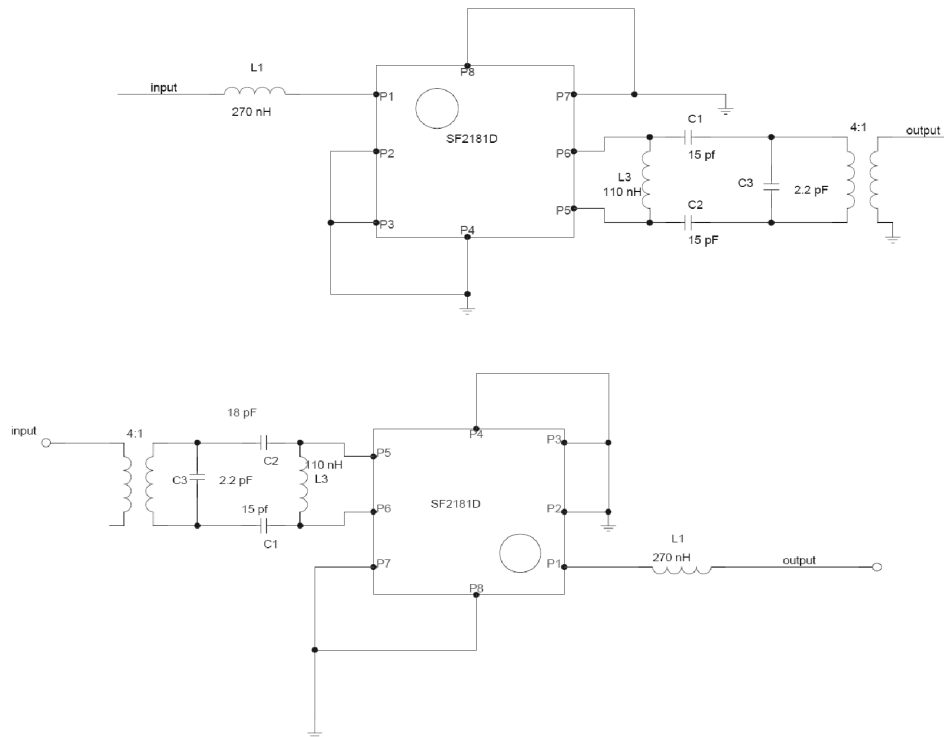


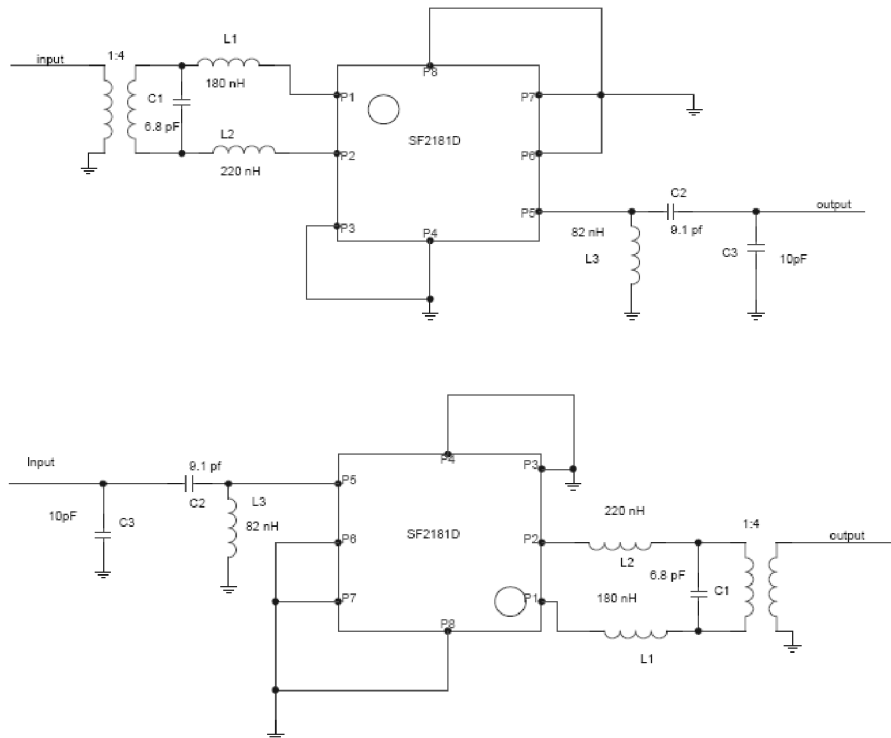
SF2181D, Using Matching Network D



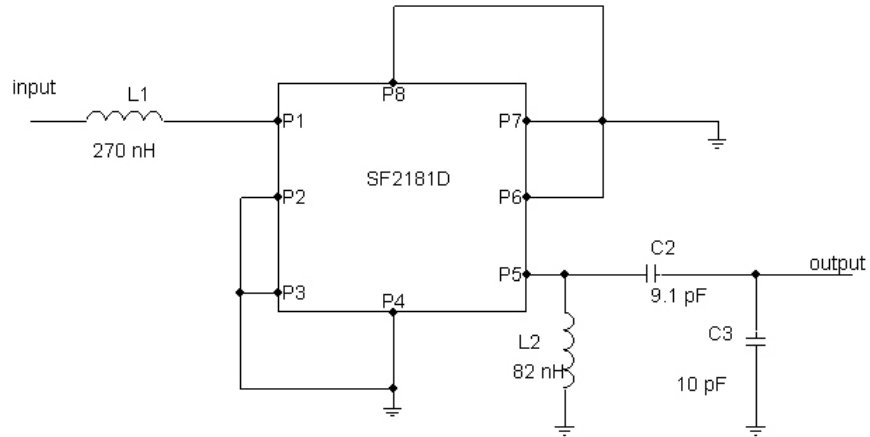
SF2181D, Matching Network A, Two Options



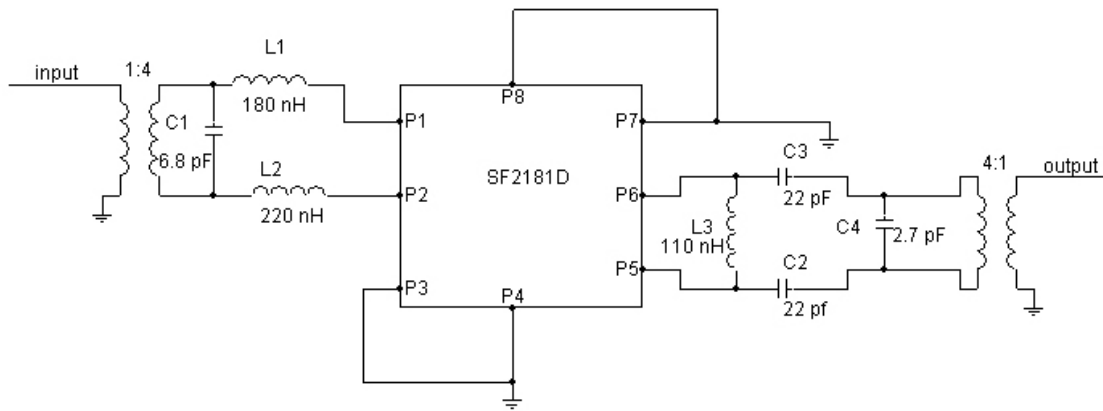
SF2181D, Matching Network B, Two Options



SF2181D, Matching Network C



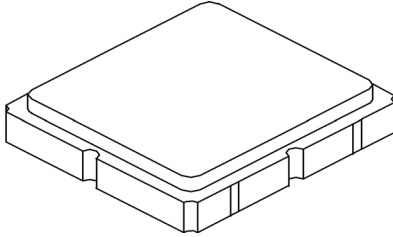
SF2181D, Matching Network D



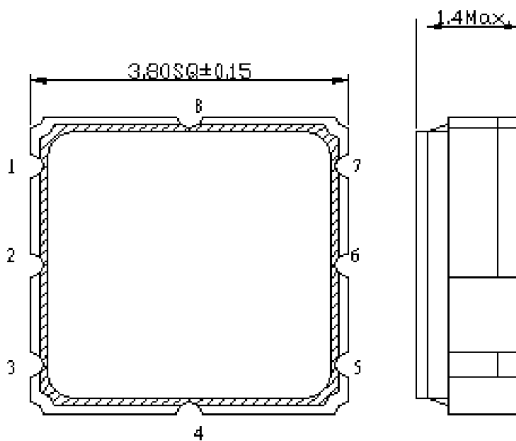
SM3838-8 Case

8-Terminal Ceramic Surface-Mount Case

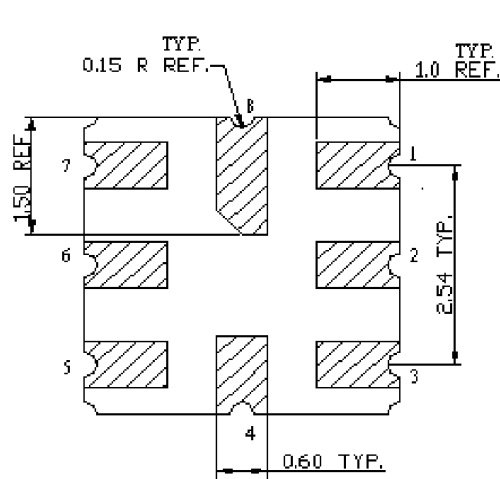
3.8 X 3.8 mm Nominal Footprint



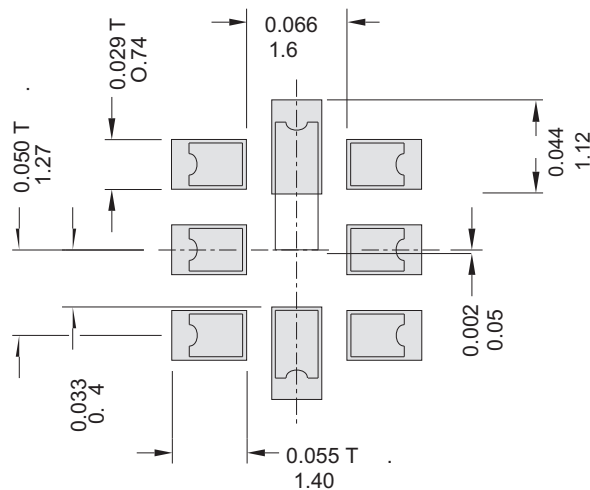
Top View



Bottom View



PCB Footprint for 180 Degree Rotation Option



Recommended Reflow Profile

1. Preheating shall be fixed at 150~180°C for 60~90 seconds.
2. Ascending time to preheating temperature 150°C shall be 30 seconds min.
3. Heating shall be fixed at 220°C for 50~80 seconds and at 260°C +0/-5°C peak (10 seconds).
4. Time: 5 times maximum.

